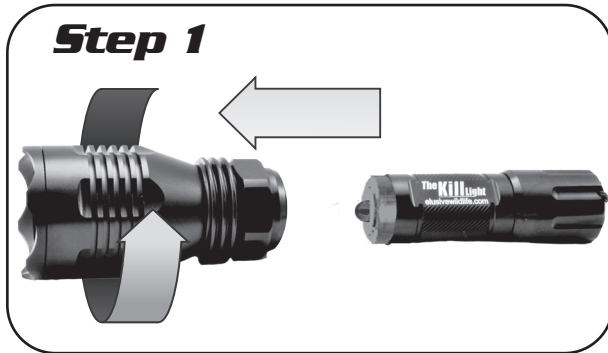
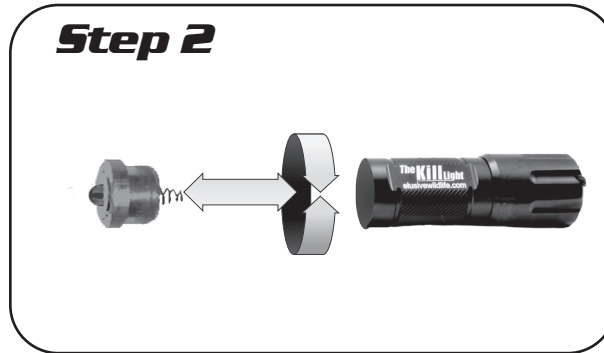


Changing the LED in the XLR 250 is as simple as

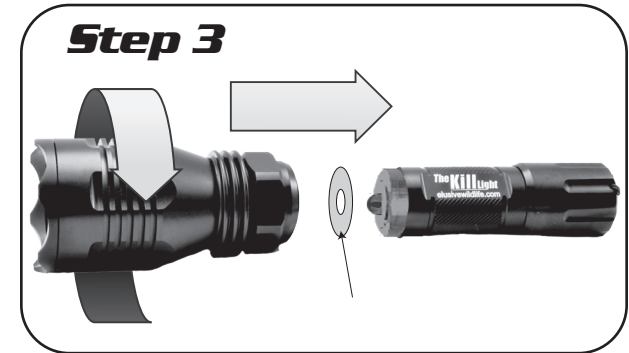
1 - 2 - 3



Step 1
Unscrew the head of the light. Note where the head unscrews in the picture.



Step 2
Unscrew the LED from the base of the light.
Choose the LED color you would like to use and screw it into the base of the light.

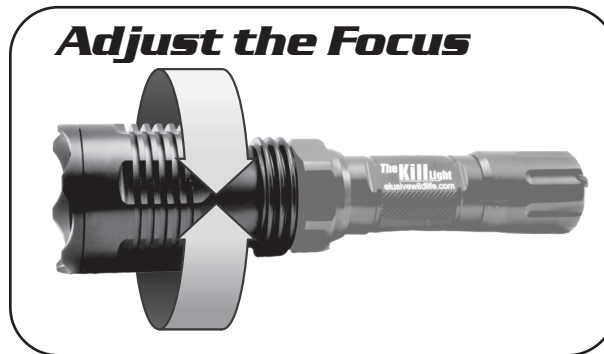


Step 3
Replace the head of the light by screwing it back onto the base.

If the beam is fuzzy or has a dark spot, your XLR 250 is out of focus.



Out of Focus
It is best to test your light against a blank wall in your house to fine tune the beam. If the head of the light is not screwed on tight enough, the beam will be uneven, rough, and could have a dark spot in the center.



Adjust the Focus
Tighten the head of the light until the beam is free from any dark spots or uneven areas.



Properly Focused
If the head of the light is tight and it is still not focused properly, then you may need to insert one or two of the included spacers during step three above.