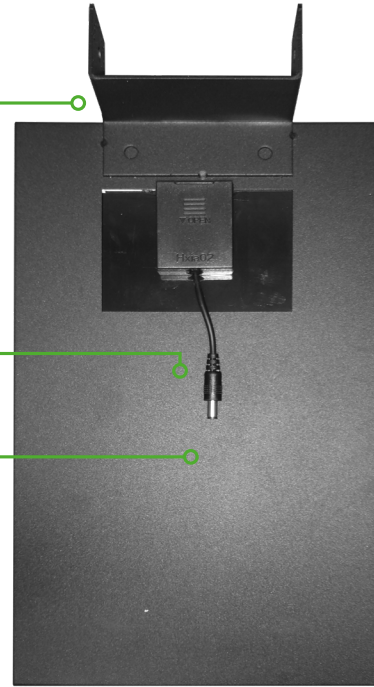
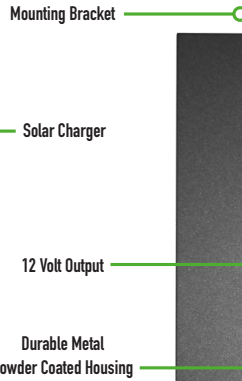
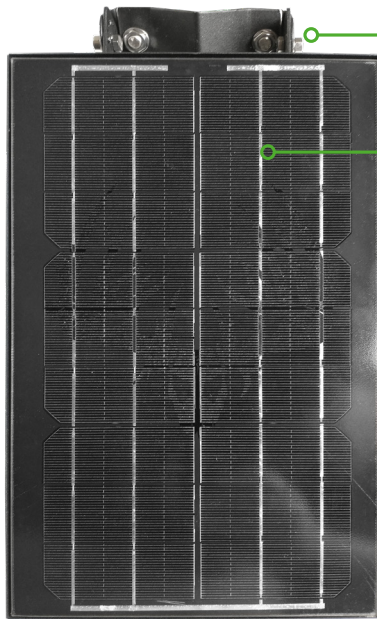
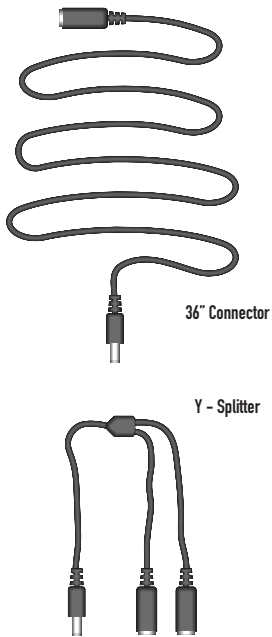


The KillLight®

OUTFITTER™ BOOST BOOSTER SOLAR PANEL

TOP

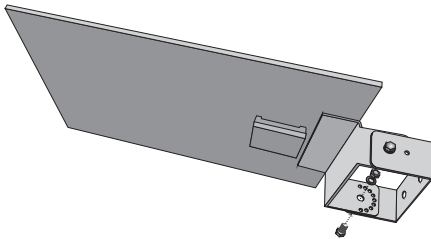
Bottom



Assembly and Installation

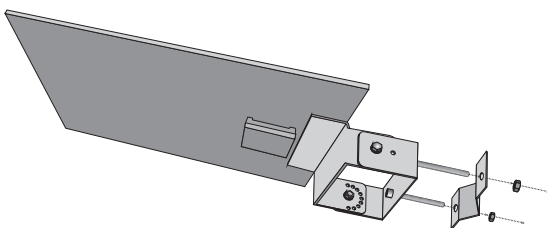
Step 1 - Swivel Bracket

Using the two .5" long hex bolts and nuts, attach the swivel bracket to the back of the light bracket.



Step 2 - Bracket Clamp

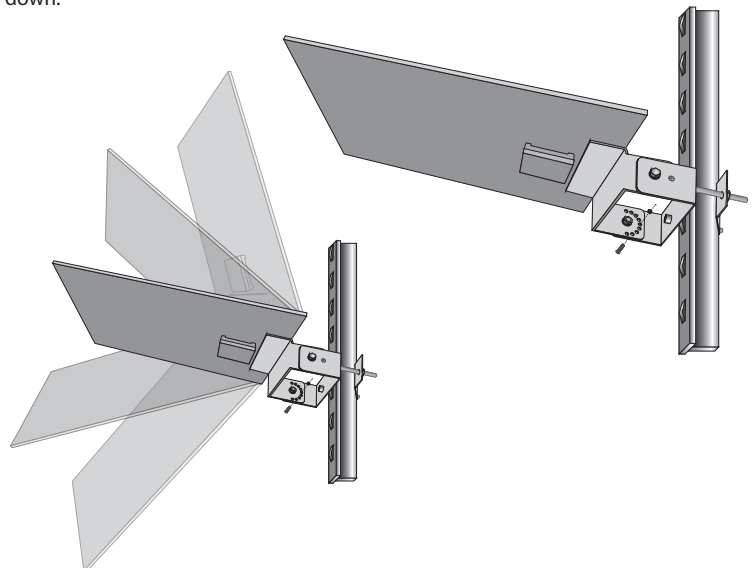
Using the two 2.75" long hex socket bolts and nuts, attach the bracket clamp to the back of the swivel bracket.



Step 3 - Installation on a T-Post

Slide the Outfitter™ Boost™ onto a t-post, a pipe, or small post will also work, and tighten the bracket clamp. Position the bracket between the wire locating studs on the t-post to help prevent the light from sliding up or down. Tighten the hex socket bolts using a 1/2" wrench and a 6mm hex wrench.

Angle the Outfitter™ Boost™ so that the top of the solar panel is at a 45° angle facing South-West, and place the two set screws into the sides of the swivel bracket, and tighten the set screw nuts so the Outfitter™ Boost™ will no longer swivel up or down.

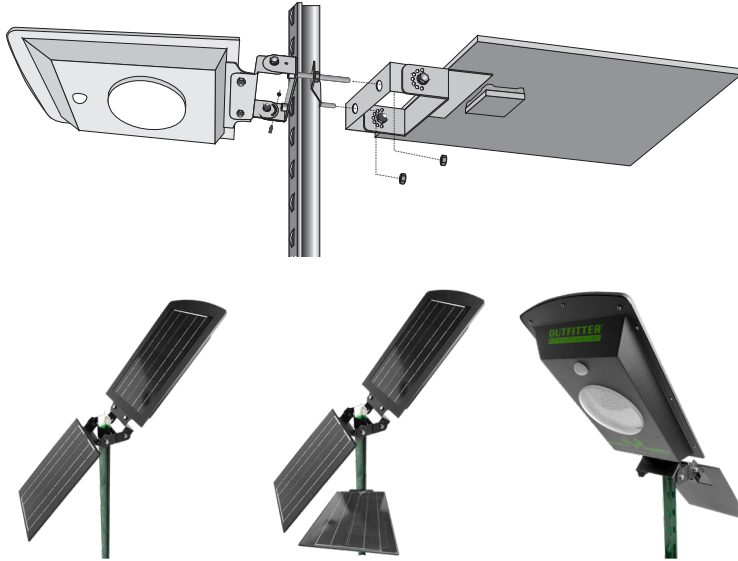


Assembly and Installation *cont.*

Step 4 - Connect to Outfitter™ Light

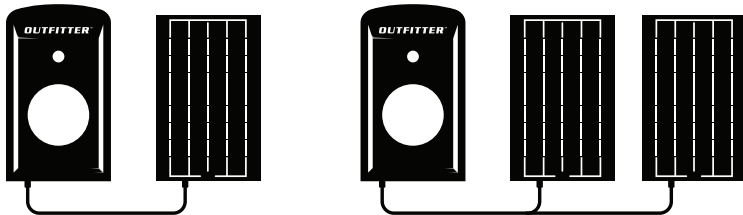
The Outfitter™ Boost™ may also be attached directly to the Outfitter™ Light. Attach the swivel bracket as shown in Step 1. Then attach the Outfitter™ Boost™ directly to the long hex bolts of the Outfitter™ Light. Attach the hex nuts and tighten using a 1/2" wrench and a 6mm hex wrench

Angle the Outfitter™ Boost™ so that the top of the solar panel is at a 45° angle facing South-West, and place the two set screws into the sides of the swivel bracket, and tighten the set screw nuts so the Outfitter™ Boost™ will no longer swivel up or down.



Step 5 - Connecting to the Outfitter™ Light

Then plug the connecting cable into the Auxiliary Port on the Outfitter™ Light. Additional connecting cables are available to create a longer cable if needed. If connecting more than one Outfitter™ Boost™ to a single Outfitter™ Light, connect each Outfitter™ Boost™ to the Y-Splitter and then connect the Y-Splitter cable to the Auxiliary Port on the Outfitter™ Light.



Warranty

Elusive Wildlife Technologies, LP warranties this product for a period of 1 year from original date of purchase. This warranty covers manufacturer defects as well as malfunction during normal operation. Please complete the warranty registration and mail in along with proof of purchase to register your light. You may also e-mail your registration and proof of purchase to info@elusivewildlife.com.

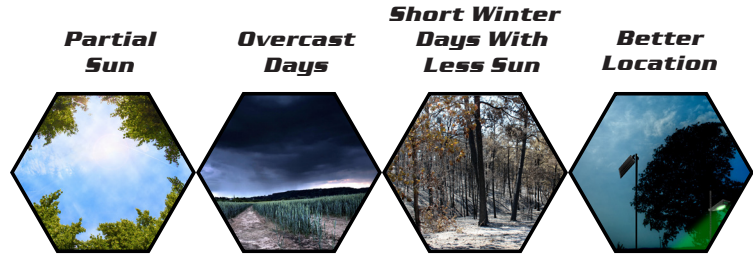
Your Kill Light® Outfitter™ Boost™ Solar Panel is water resistant when installed with the solar panel facing up. Do not submerge your Outfitter™ Boost™, this will void your warranty. Take care to insure the solar panel is mounted properly and securely.

Elusive Wildlife Technologies, LP will not warranty any light damaged by user neglect or failure to adhere to these instructions and guidelines. No lights will be warrantied due to animal damage, or theft.

Using the Outfitter™ Boost™

When to use The Outfitter Boost

The Outfitter™ Motion Activated Light requires at least six (6) hours of direct sunlight to fully charge the internal batteries.



Partial Sun

If you only get three hours of direct sunlight per day at your setup, adding one Outfitter Boost will double your charging speed. Adding a second Outfitter Boost will triple your charging speed. Adding one Outfitter Boost, you will be able to fully charge your Outfitter light in three hours, with two Outfitter Boost solar panels the time drops to 1.5 hours.

Overcast Days

Long periods of inclement weather will negatively affect the Outfitter Light's ability to collect enough sunlight to fully charge. Adding one or two Outfitter Boost panels will double and triple the amount of sunlight that is collected allowing for a fully charged Outfitter Light even during overcast days.

Short Winter Days

In the U.S.A. winter days can be over four hours shorter than summer days. The shorter days are directly proportionate to the amount of sunlight that the Outfitter Light is able to collect. Adding an Outfitter Boost to your setup will help ensure there is enough sunlight to fully charge the Outfitter Battery during the shorter Winter days.

Better Location

There are occasions where the best place to mount the Outfitter Light is where it does not receive the proper amount of sunlight; for instance when it needs to face south/southwest, be placed in the shadow of a building, or under a dense tree canopy. The Outfitter Boost may be placed at a different angle, on a different pole, or even higher above the canopy to ensure there is enough sunlight to fully charge the Outfitter Battery.

Overcharge the Outfitter Light

The Outfitter Light has a built-in charge regulator that prevents the internal battery from overcharging. The Outfitter Light is able to accommodate one or two additional Outfitter Boost solar panels. Adding any more than two Outfitter Boost solar panels will not add more solar collecting power. Two Outfitter Boost solar panels is the maximum number that can be added to a single Outfitter Light.

Outfitter™ Boost™ Warranty Registration

Date of Purchase _____ Name _____

Address _____ City, State, Zip _____

Phone _____ E-mail _____

Name of store where purchased _____ Received as a gift or Purchased for yourself

Please rate your level of satisfaction with this product from 1-10 with 10 being most satisfied. If you have yet to use this product, please circle N/A. Please circle one.

1 2 3 4 5 6 7 8 9 10 N/A

Elusive Wildlife Technologies, LP respects your privacy and we will not sell or provide your personal information to any other party. However, we would like to occasionally send you information about your Elusive Wildlife product or special offers. If you do not wish to receive this information please check here .

Please mail or e-mail warranty info to:
Elusive Wildlife Technologies, LP • 1107 West Dallas Street
Suite A • Conroe, TX 77301
800-780-6861 email: info@elusivewildlife.com